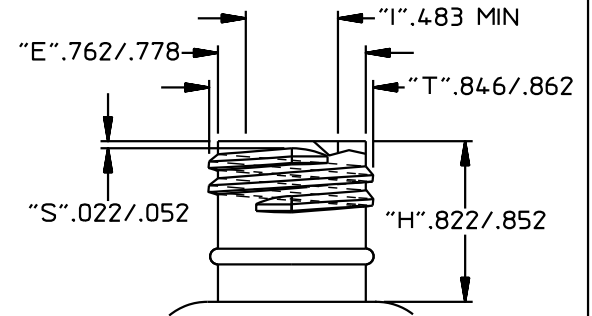


570 Fifth Street  
 Prescott, AZ 86301  
 928-445-2592

PRESCOTTSALES@INTRAPACINTERNATIONAL.COM  
 WWW.INTRAPACINTERNATIONAL.COM

### NECK DETAIL



2oz Boston Round  
 22-415  
 Drawing# 09-1013

O.F.C.	72.3±3.5cc
WEIGHT	8.5g**
FINISH	22-415
DIAMETER(A)	1.504±.047
HEIGHT(B)	3.472±.047
MAX LABEL(HEIGHT)	1.900
MAX LABEL(WIDTH)	N/A
PLUG FIT	USER SPECIFIED

\*\*SPECIAL WEIGHTS AVAILABLE UPON  
 REQUEST\*\*

\*MANUFACTURED BY EXTRUSION BLOW MOLD\*  
 \*DRAWING NOT TO SCALE\*