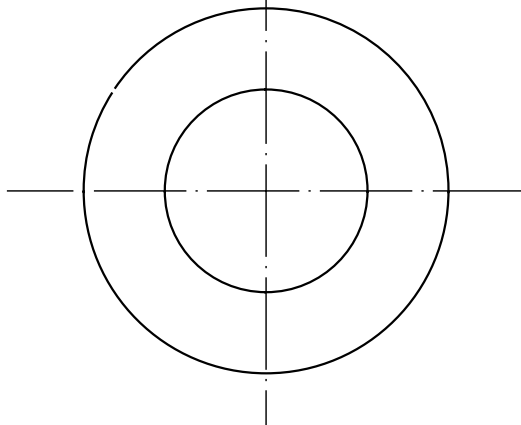
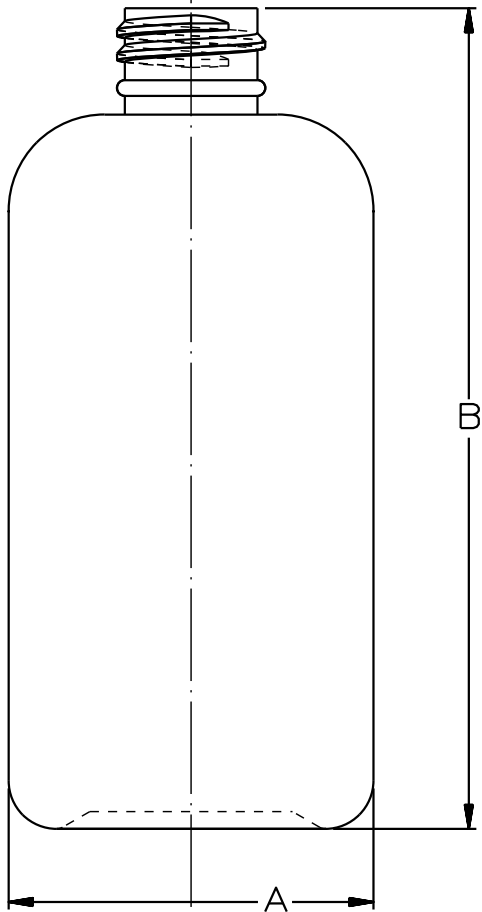
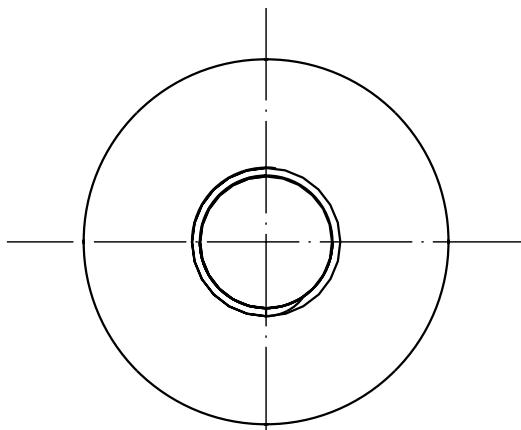


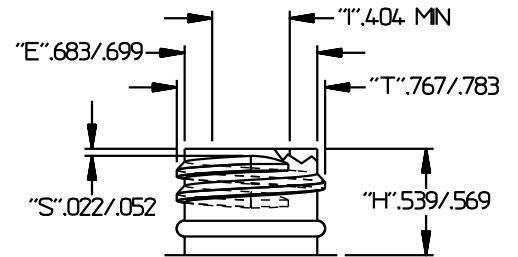


570 Fifth Street  
 Prescott, AZ 86301  
 928-445-2592

PRESCOTTSALES@INTRAPACINTERNATIONAL.COM  
 WWW.INTRAPACINTERNATIONAL.COM



### NECK DETAIL



4oz Boston Round  
 20-410  
 Drawing# 09-1032

O.F.C.	149±5cc
WEIGHT	14g**
FINISH	20-410
DIAMETER(A)	1.900±.047
HEIGHT(B)	4.274±.047
MAX LABEL(HEIGHT)	2.750
MAX LABEL(WIDTH)	N/A
PLUG FIT	USER SPECIFIED

\*\*SPECIAL WEIGHTS AVAILABLE UPON REQUEST\*\*

\*MANUFACTURED BY EXTRUSION BLOW MOLD\*

\*DRAWING NOT TO SCALE\*