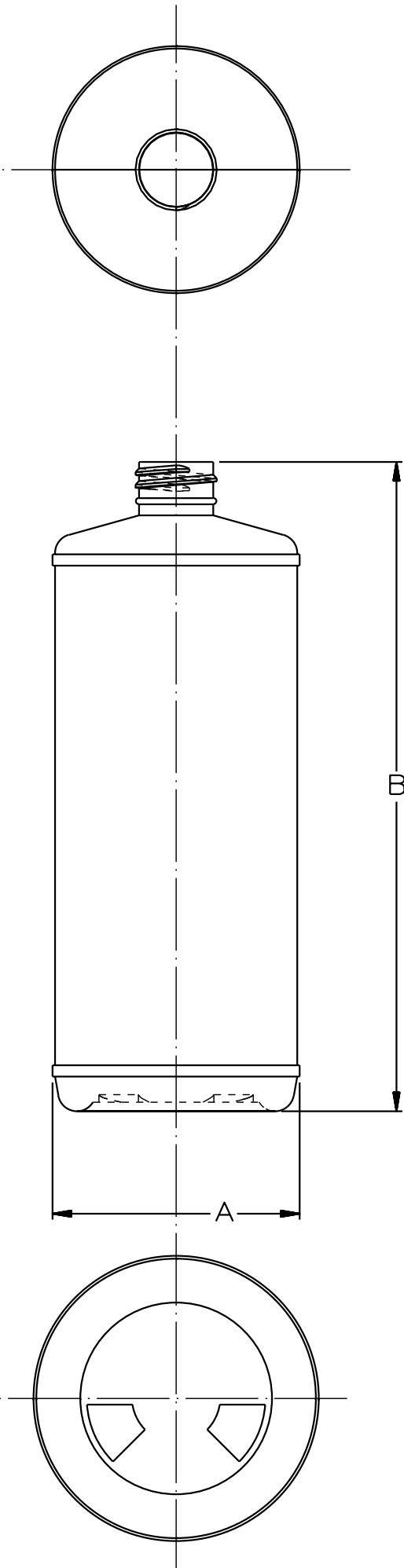


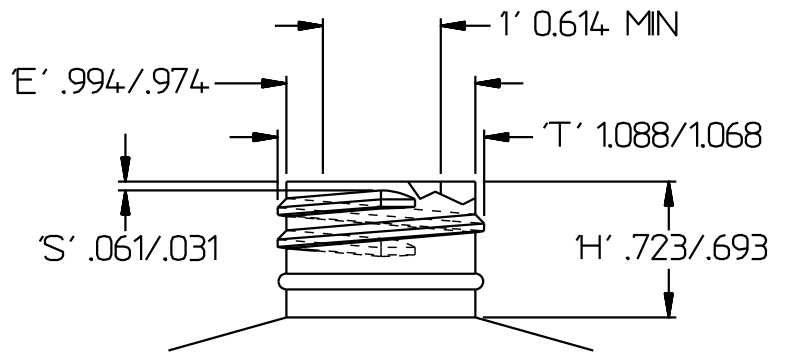


570 Fifth Street
 Prescott, AZ 86301
 928-445-2592

PRESCOTTSALES@INTRAPACINTERNATIONAL.COM
 WWW.INTRAPACINTERNATIONAL.COM



NECK DETAIL



32oz Cylinder with
 Label Protector
 28-410
 Drawing# 13-1179

| | |
|-------------------|----------------|
| O.F.C. | 957.2±15cc |
| WEIGHT | 65g** |
| FINISH | 28-410 |
| DIAMETER(A) | 3.275±.062 |
| HEIGHT(B) | 8.610±.062 |
| MAX LABEL(HEIGHT) | 6.350 |
| MAX LABEL(WIDTH) | N/A |
| PLUG FIT | USER SPECIFIED |

**SPECIAL WEIGHTS AVAILABLE UPON
 REQUEST**

MANUFACTURED BY EXTRUSION BLOW MOLD
 DRAWING NOT TO SCALE