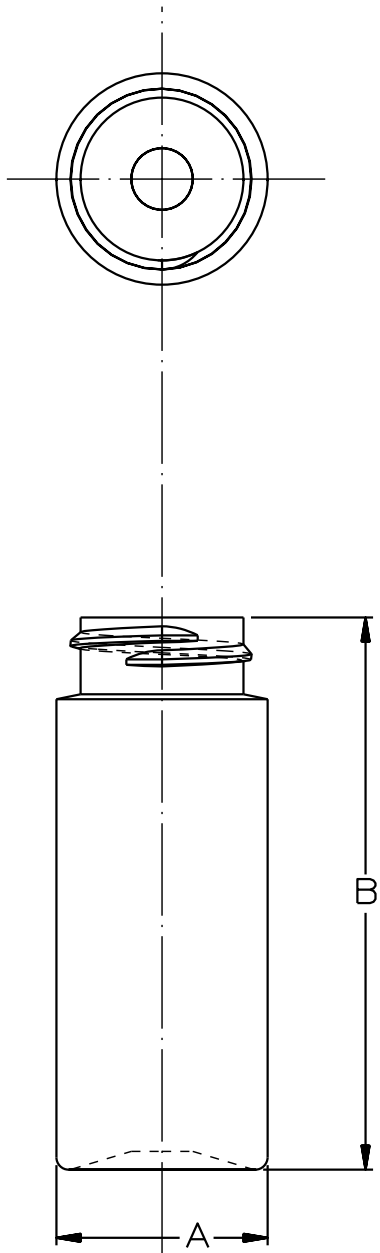


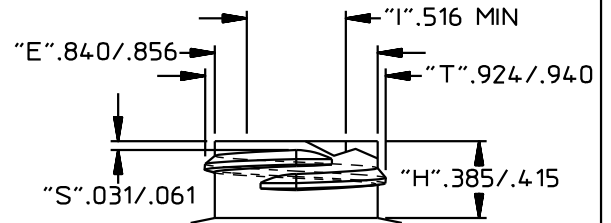


570 Fifth Street
 Prescott, AZ 86301
 928-445-2592

PRESCOTTSALES@INTRAPACINTERNATIONAL.COM
 WWW.INTRAPACINTERNATIONAL.COM



NECK DETAIL



1oz Cylinder Stock
 24-400
 Drawing# 09-1004

O.F.C.	35.2±2cc
WEIGHT	7g**
FINISH	24-400
DIAMETER(A)	1.100±.047
HEIGHT(B)	2.876±.047
MAX LABEL(HEIGHT)	2.150
MAX LABEL(WIDTH)	N/A
PLUG FIT	USER SPECIFIED

**SPECIAL WEIGHTS AVAILABLE UPON
 REQUEST**

MANUFACTURED BY EXTRUSION BLOW MOLD

DRAWING NOT TO SCALE