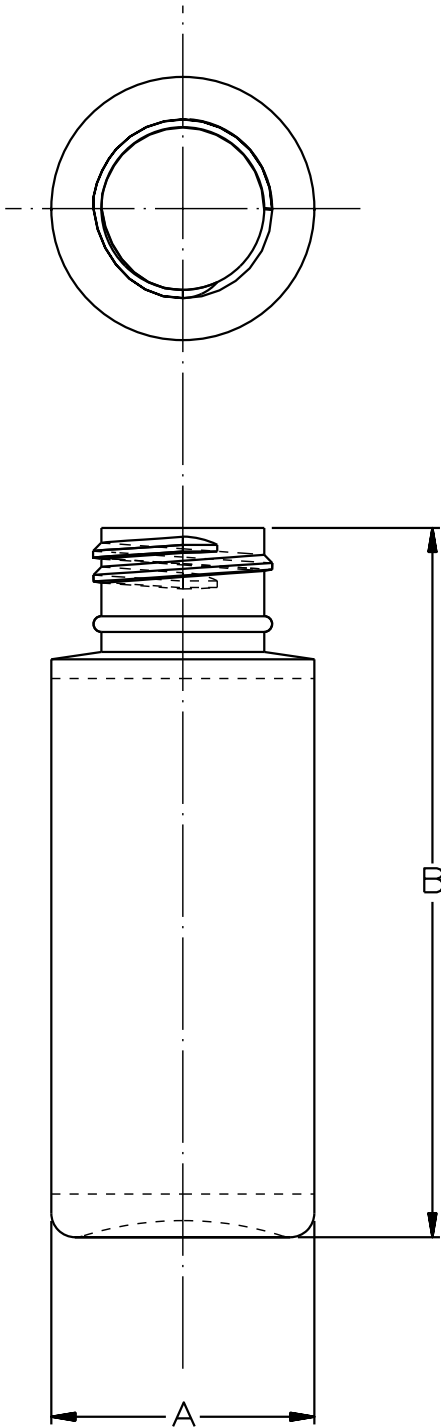


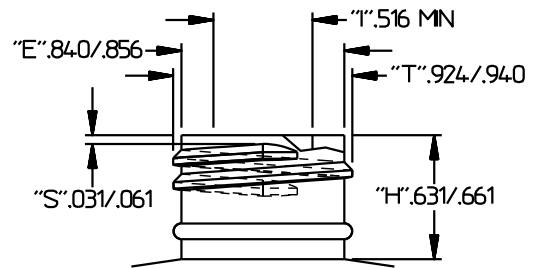


570 Fifth Street
 Prescott, AZ 86301
 928-445-2592

PRESCOTTSALES@INTRAPACINTERNATIONAL.COM
 WWW.INTRAPACINTERNATIONAL.COM



NECK DETAIL



2oz Cylinder 24-410 Drawing# 09-1018	
O.F.C.	69±3cc
WEIGHT	8.5g**
FINISH	24-410
DIAMETER(A)	1.370±.047
HEIGHT(B)	3.694±.047
MAX LABEL(HEIGHT)	2.650
MAX LABEL(WIDTH)	N/A
PLUG FIT	USER SPECIFIED

**SPECIAL WEIGHTS AVAILABLE UPON
 REQUEST**

MANUFACTURED BY EXTRUSION BLOW MOLD
 DRAWING NOT TO SCALE