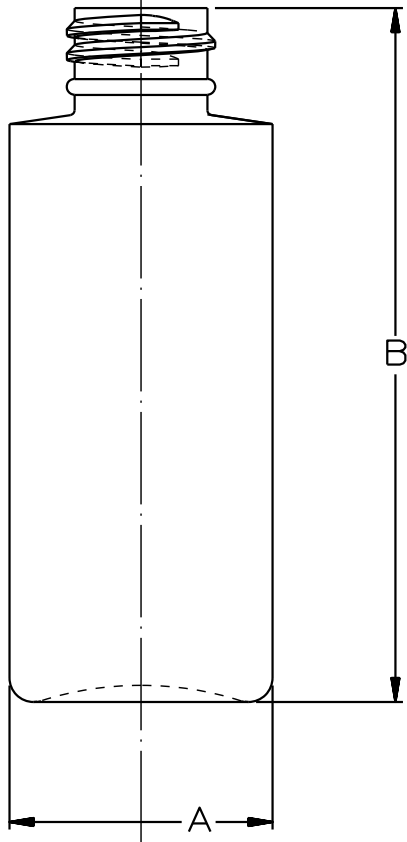
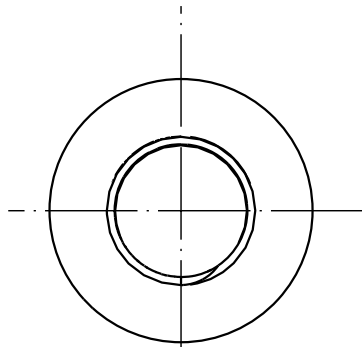


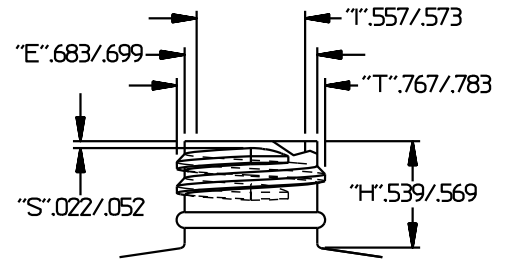


570 Fifth Street
 Prescott, AZ 86301
 928-445-2592

PRESCOTTSALES@INTRAPACINTERNATIONAL.COM
 WWW.INTRAPACINTERNATIONAL.COM



NECK DETAIL



2oz Cylinder
 20-410
 Drawing# 09-1021

O.F.C.	69±3cc
WEIGHT	9g**
FINISH	20-410
DIAMETER(A)	1.370±.047
HEIGHT(B)	3.614±.047
MAX LABEL(HEIGHT)	2.650
MAX LABEL(WIDTH)	N/A
PLUG FIT	USER SPECIFIED

SPECIAL WEIGHTS AVAILABLE UPON REQUEST

MANUFACTURED BY EXTRUSION BLOW MOLD

DRAWING NOT TO SCALE