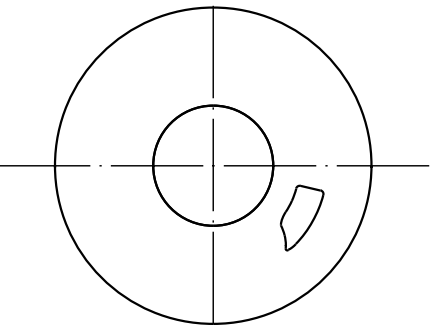
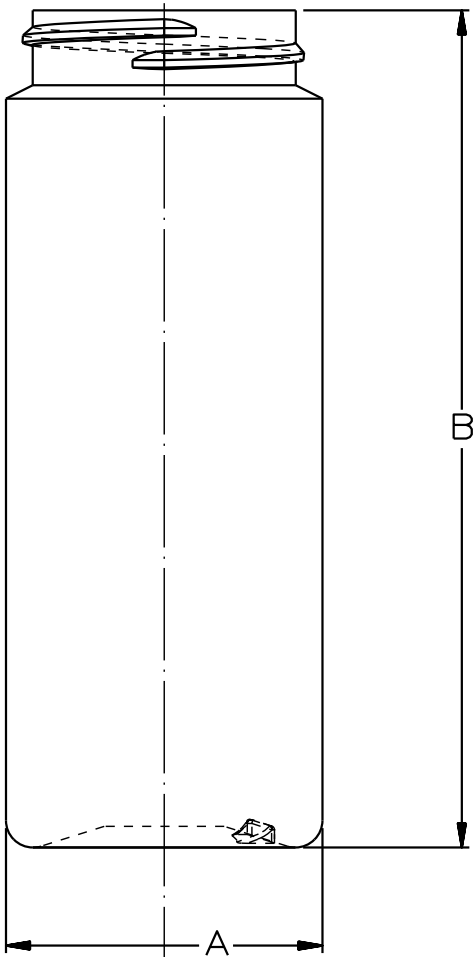
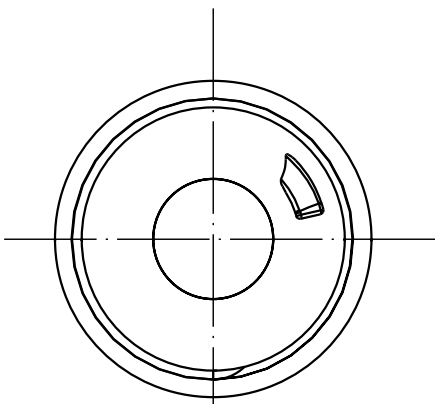


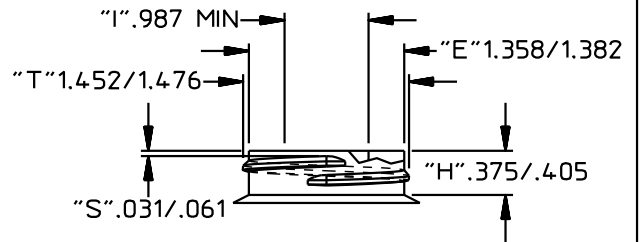


570 Fifth Street  
 Prescott, AZ 86301  
 928-445-2592

PRESCOTTSALES@INTRAPACINTERNATIONAL.COM  
 WWW.INTRAPACINTERNATIONAL.COM



### NECK DETAIL



4oz Cylinder 38-400 Drawing# 82-359-C	
O.F.C.	133.2±5cc
WEIGHT	15g**
FINISH	38-400
DIAMETER(A)	1.648±.047
HEIGHT(B)	4.360±.047
MAX LABEL(HEIGHT)	3.550
MAX LABEL(WIDTH)	N/A
PLUG FIT	USER SPECIFIED

\*\*SPECIAL WEIGHTS AVAILABLE UPON REQUEST\*\*

\*MANUFACTURED BY EXTRUSION BLOW MOLD\*

\*DRAWING NOT TO SCALE\*