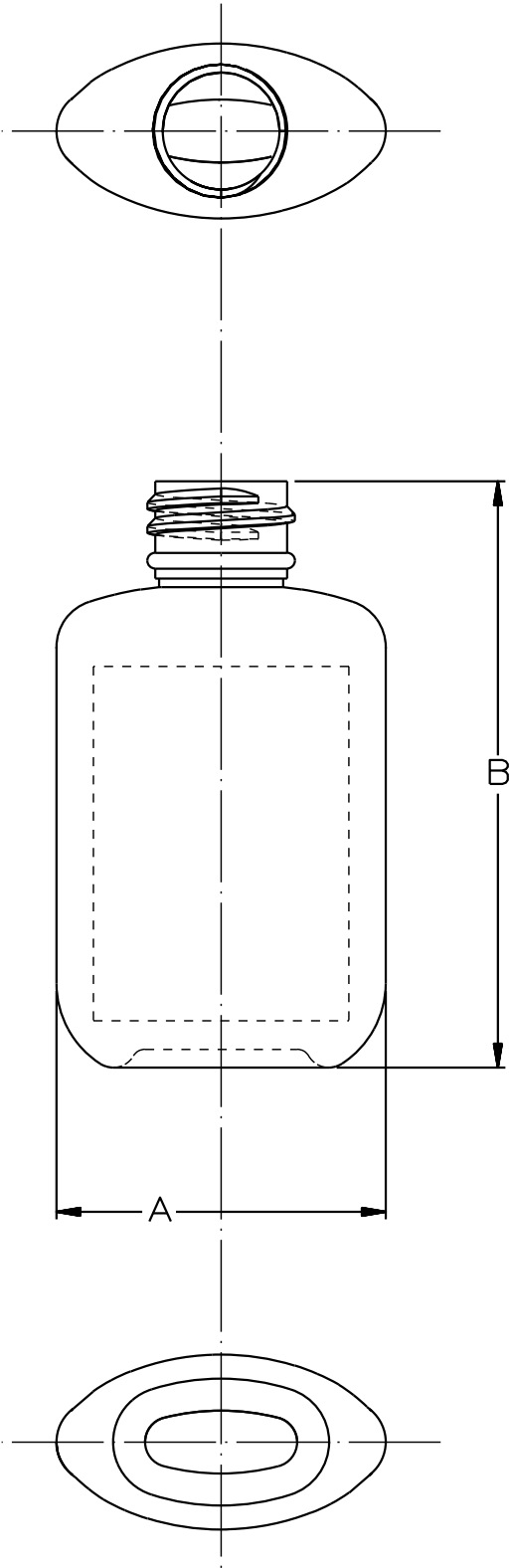
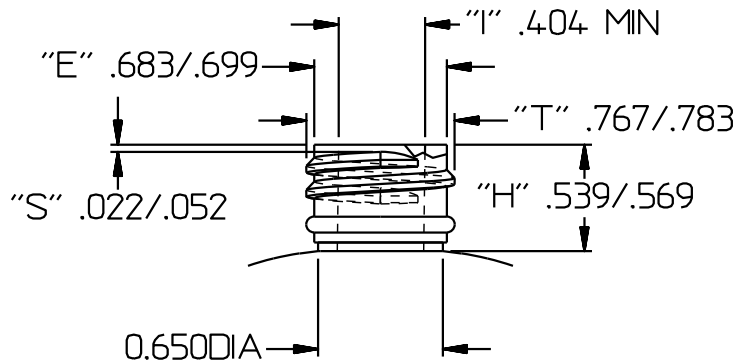




570 Fifth Street
 Prescott, AZ 86301
 928-445-2592

PRESCOTTSALES@INTRAPACINTERNATIONAL.COM
 WWW.INTRAPACINTERNATIONAL.COM

NECK DETAIL



1.25oz Flat Oval
 20-410
 Drawing# 18-1312

O.F.C.	41.5±2.5cc
WEIGHT	6g**
FINISH	18-410
DIAMETER(A)	1.725±.047
HEIGHT(B)	3.069±.047
MAX LABEL(HEIGHT)	1.855
MAX LABEL(WIDTH)	1.339
PLUG FIT	USER SPECIFIED

SPECIAL WEIGHTS AVAILABLE UPON REQUEST

MANUFACTURED BY EXTRUSION BLOW MOLD

DRAWING NOT TO SCALE