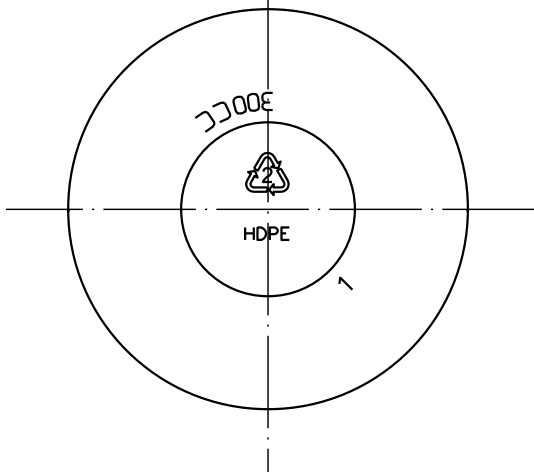
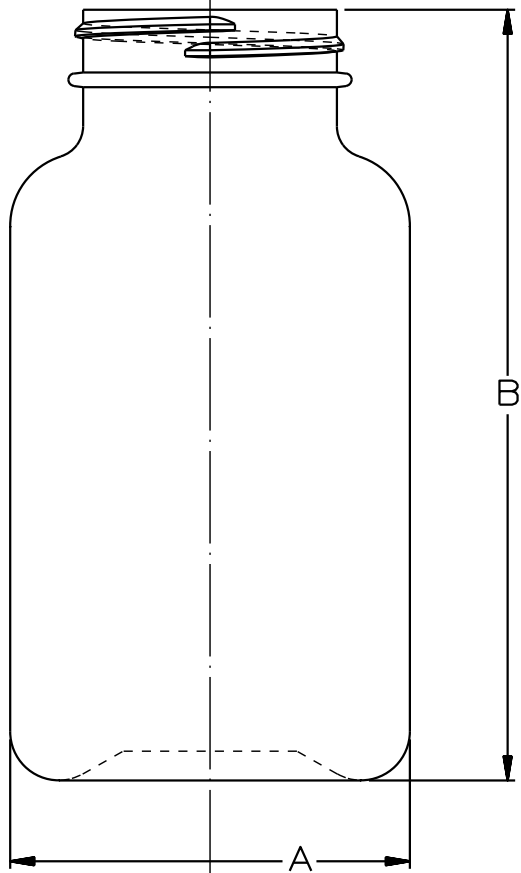
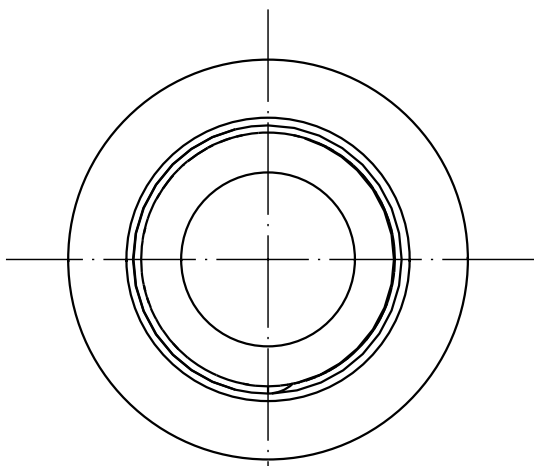


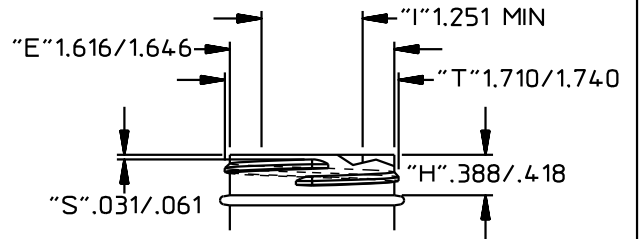


570 Fifth Street  
 Prescott, AZ 86301  
 928-445-2592

PRESCOTTSALES@INTRAPACINTERNATIONAL.COM  
 WWW.INTRAPACINTERNATIONAL.COM



### NECK DETAIL



300cc Packer 45-400 Drawing# 99-769-D	
O.F.C.	335.6±9cc
WEIGHT	27g**
FINISH	45-400
DIAMETER(A)	2.570±.062
HEIGHT(B)	4.955±.047
MAX LABEL(HEIGHT)	3.000
MAX LABEL(WIDTH)	N/A
PLUG FIT	USER SPECIFIED

\*\*SPECIAL WEIGHTS AVAILABLE UPON REQUEST\*\*

\*MANUFACTURED BY EXTRUSION BLOW MOLD\*

\*DRAWING NOT TO SCALE\*