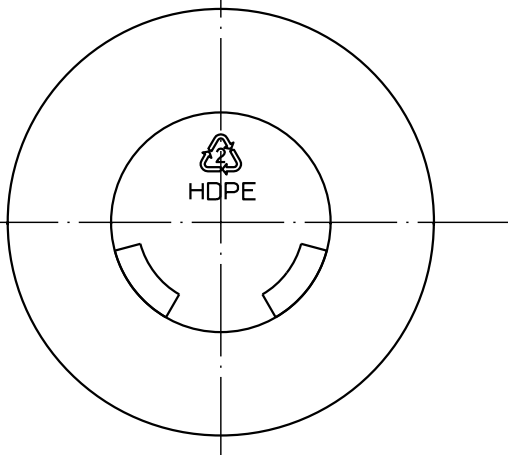
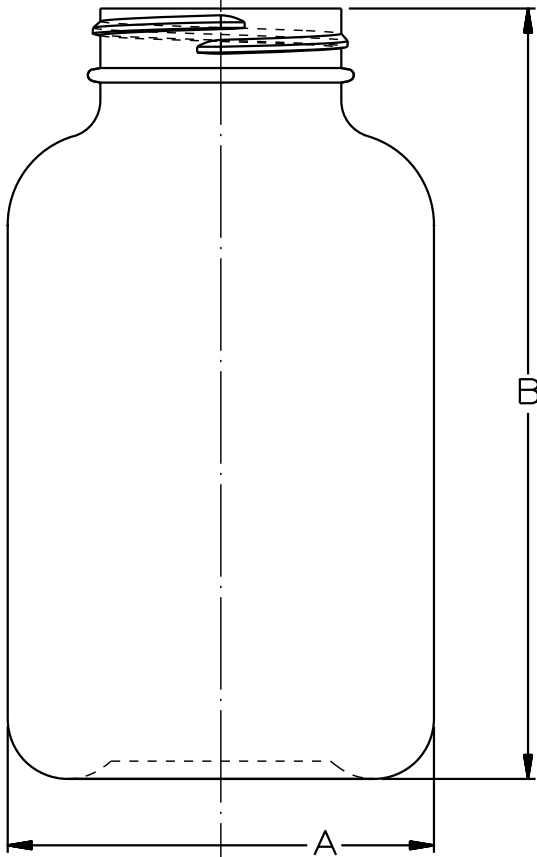
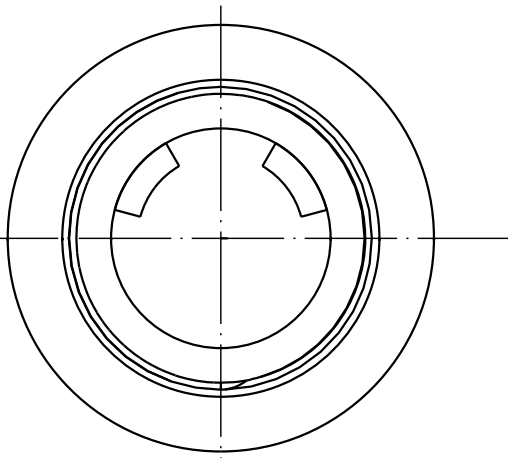


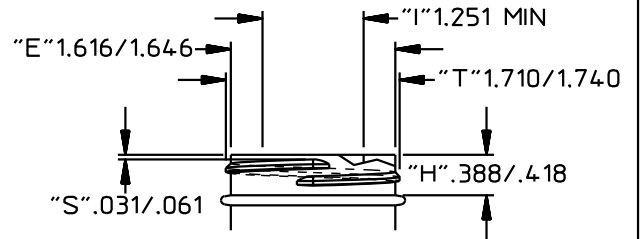


570 Fifth Street
 Prescott, AZ 86301
 928-445-2592

PRESCOTTSALES@INTRAPACINTERNATIONAL.COM
 WWW.INTRAPACINTERNATIONAL.COM



NECK DETAIL



400cc Packer 45-400 Drawing# 99-773-D

O.F.C.	440.2±11cc
WEIGHT	36g**
FINISH	45-400
DIAMETER(A)	2.885±.062
HEIGHT(B)	5.215±.047
MAX LABEL(HEIGHT)	3.100
MAX LABEL(WIDTH)	N/A
PLUG FIT	USER SPECIFIED

SPECIAL WEIGHTS AVAILABLE UPON REQUEST

MANUFACTURED BY EXTRUSION BLOW MOLD
 DRAWING NOT TO SCALE