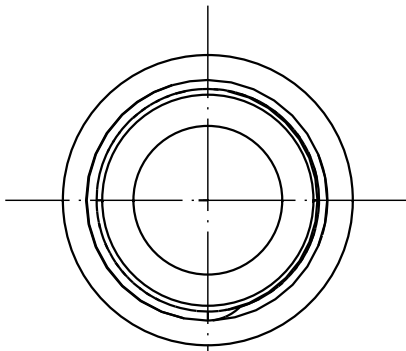


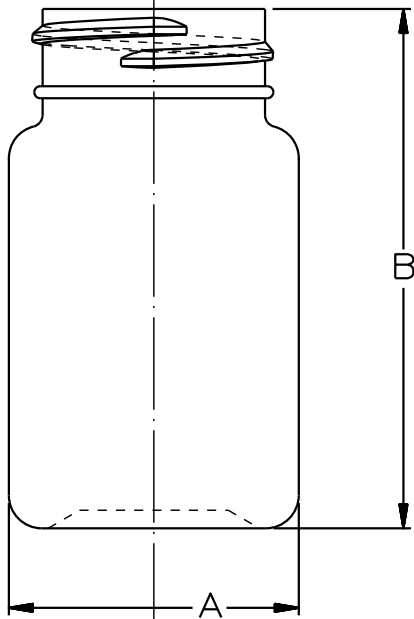
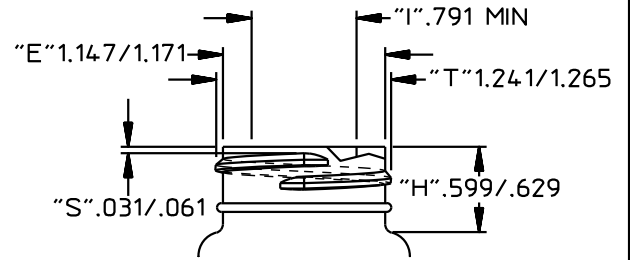


570 Fifth Street
 Prescott, AZ 86301
 928-445-2592

PRESCOTTSALES@INTRAPACINTERNATIONAL.COM
 WWW.INTRAPACINTERNATIONAL.COM

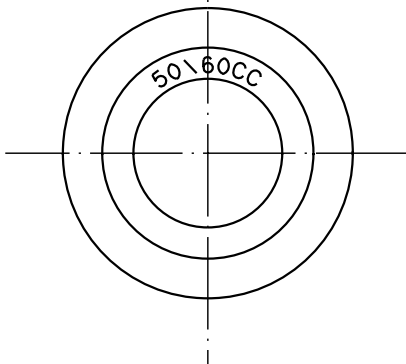


NECK DETAIL



50/60cc Packer
 33MM SPECIAL
 Drawing# 92-658-C

O.F.C.	62.6±3.5cc
WEIGHT	7.5g**
FINISH	33MM SPL
DIAMETER(A)	1.510±.047
HEIGHT(B)	2.705±.047
MAX LABEL(HEIGHT)	1.500
MAX LABEL(WIDTH)	N/A
PLUG FIT	USER SPECIFIED



SPECIAL WEIGHTS AVAILABLE UPON REQUEST

MANUFACTURED BY EXTRUSION BLOW MOLD
 DRAWING NOT TO SCALE