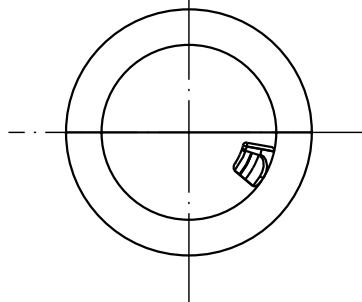
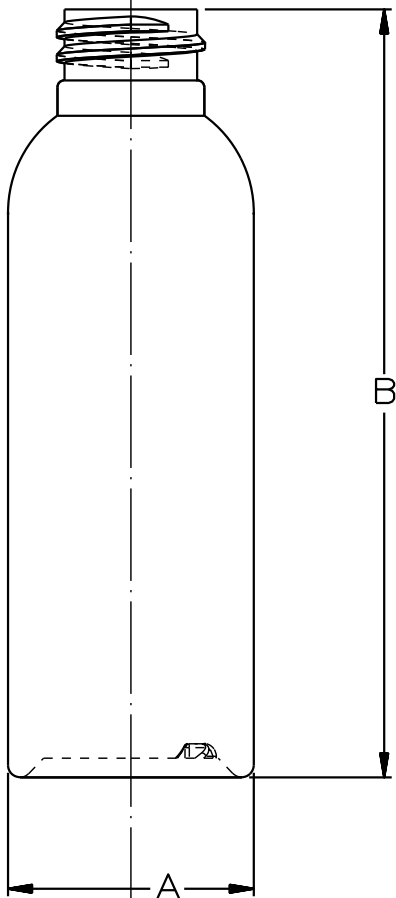
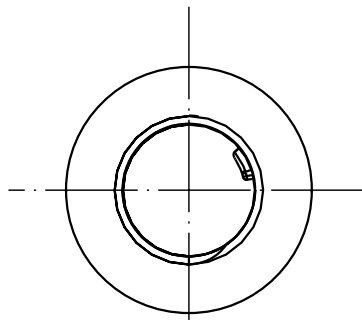


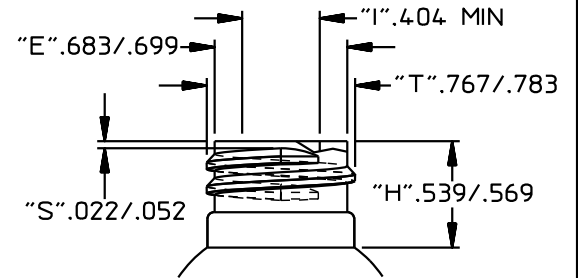


570 Fifth Street
 Prescott, AZ 86301
 928-445-2592

PRESCOTTSALES@INTRAPACINTERNATIONAL.COM
 WWW.INTRAPACINTERNATIONAL.COM



NECK DETAIL



2oz Quality Round 20-410 Drawing# 09-1015-B	
O.F.C.	63.2±3.5cc
WEIGHT	9g**
FINISH	20-410
DIAMETER(A)	1.280±.047
HEIGHT(B)	4.000±.047
MAX LABEL(HEIGHT)	2.600
MAX LABEL(WIDTH)	N/A
PLUG FIT	USER SPECIFIED

**SPECIAL WEIGHTS AVAILABLE UPON
 REQUEST**

MANUFACTURED BY EXTRUSION BLOW MOLD
 DRAWING NOT TO SCALE