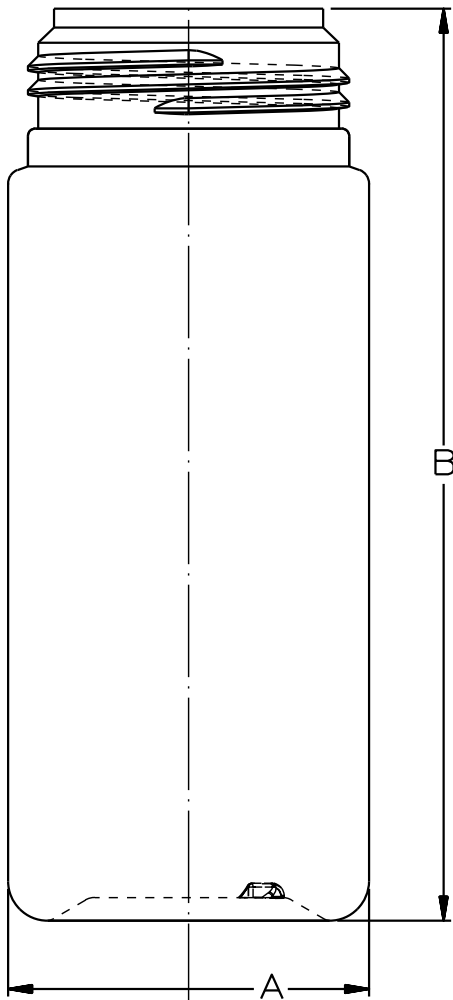
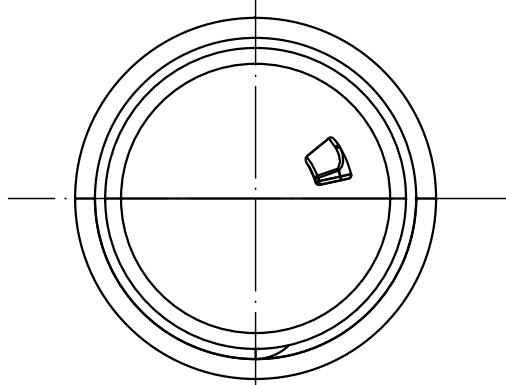


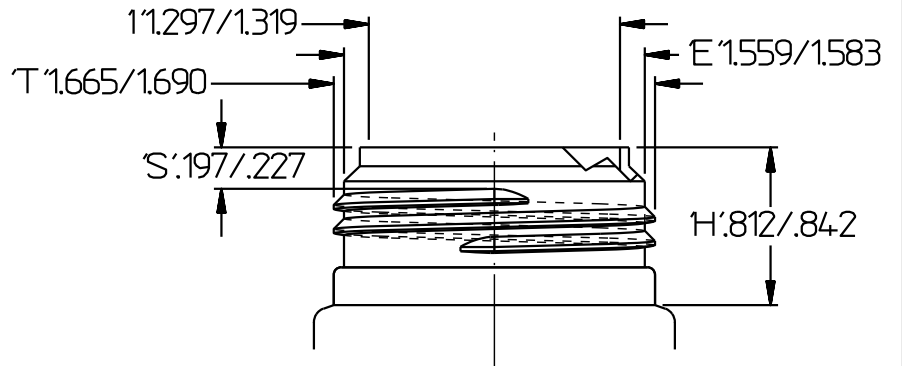


570 Fifth Street  
 Prescott, AZ 86301  
 928-445-2592

PRESCOTTSALES@INTRAPACINTERNATIONAL.COM  
 WWW.INTRAPACINTERNATIONAL.COM



NECK DETAIL



125ML FOAMER  
 43MM SPECIAL\*\*\*  
 Drawing# 14-1222-E

O.F.C.	183cc±6cc
WEIGHT	18g±1g**
FINISH	43MM SPL
DIAMETER(A)	1.880±.047
HEIGHT(B)	4.757±.047
MAX LABEL(HEIGHT)	3.400
MAX LABEL(WIDTH)	N/A
PLUG FIT	USER SPECIFIED

\*\*\*FILL CAP USED IS BERRY PLASTICS  
 FC 43 SPL/ CT 43 SPL CODE: 064-72024-44600  
 PUMP CAP USED IS ARMINAK # AAF2S15D\*\*\*

\*\*SPECIAL WEIGHTS AVAILABLE UPON  
 REQUEST\*\*

\*MANUFACTURED BY EXTRUSION BLOW MOLD\*  
 \*DRAWING NOT TO SCALE\*

