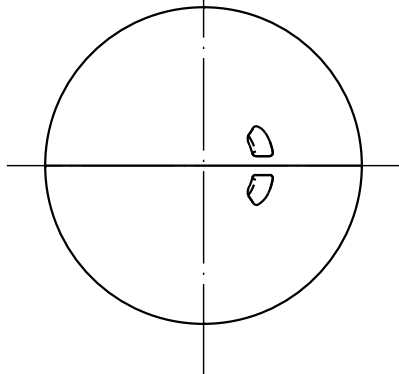
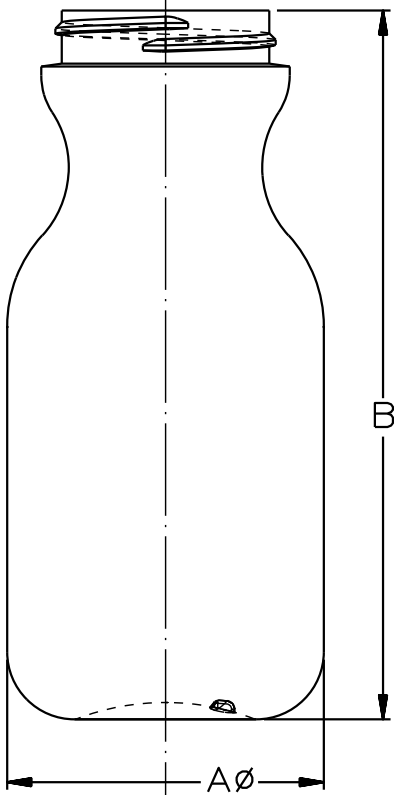
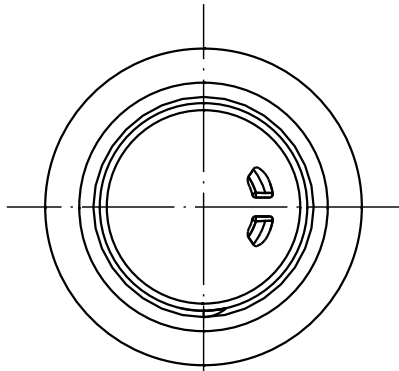


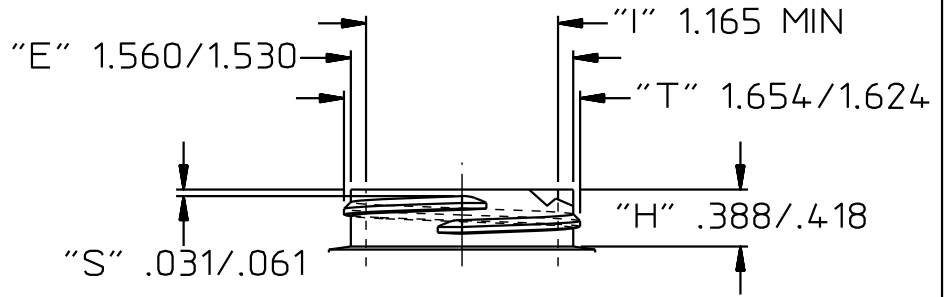


570 Fifth Street
 Prescott, AZ 86301
 928-445-2592

PRESCOTTSALES@INTRAPACINTERNATIONAL.COM
 WWW.INTRAPACINTERNATIONAL.COM



NECK DETAIL



8oz Juice Round 50-009
 43-400
 Drawing# 15-1243

O.F.C.	279±7cc
WEIGHT	23±1.5g**
FINISH	43-400
DIAMETER(A)	2.355±.062
HEIGHT(B)	5.274±.047
MAX LABEL(HEIGHT)	2.350
MAX LABEL(WIDTH)	N/A
PLUG FIT	USER SPECIFIED

SPECIAL WEIGHTS AVAILABLE UPON REQUEST

MANUFACTURED BY EXTRUSION BLOW MOLD
 DRAWING NOT TO SCALE