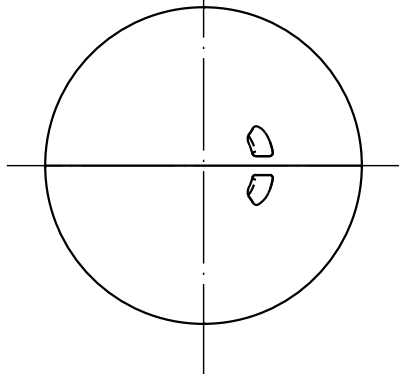
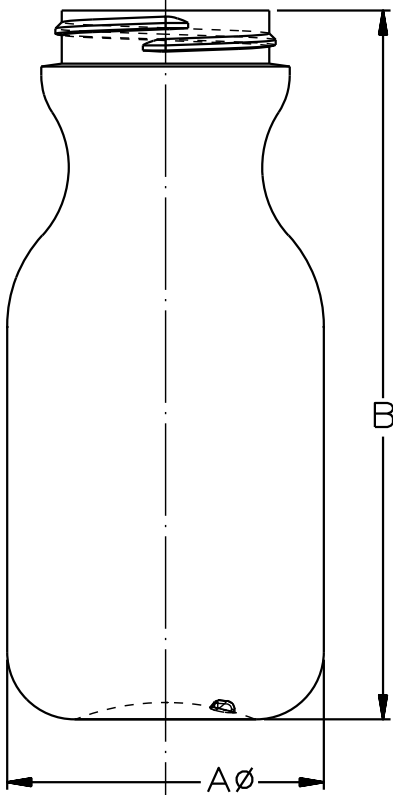
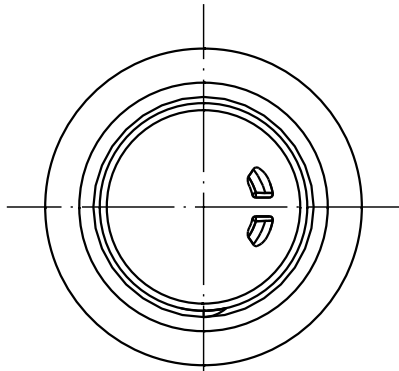


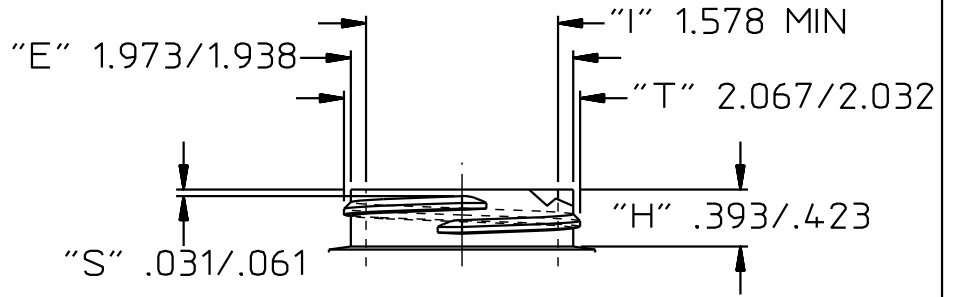


570 Fifth Street
 Prescott, AZ 86301
 928-445-2592

PRESCOTTSALES@INTRAPACINTERNATIONAL.COM
 WWW.INTRAPACINTERNATIONAL.COM



NECK DETAIL



15oz Juice Round 50-010
 53-400
 Drawing# 15-1244

O.F.C.	465±11cc
WEIGHT	32±2g**
FINISH	53-400
DIAMETER(A)	2.825±.062
HEIGHT(B)	6.085±.062
MAX LABEL(HEIGHT)	3.100
MAX LABEL(WIDTH)	N/A
PLUG FIT	USER SPECIFIED

SPECIAL WEIGHTS AVAILABLE UPON REQUEST

MANUFACTURED BY EXTRUSION BLOW MOLD

DRAWING NOT TO SCALE