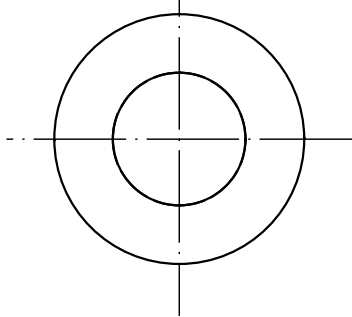
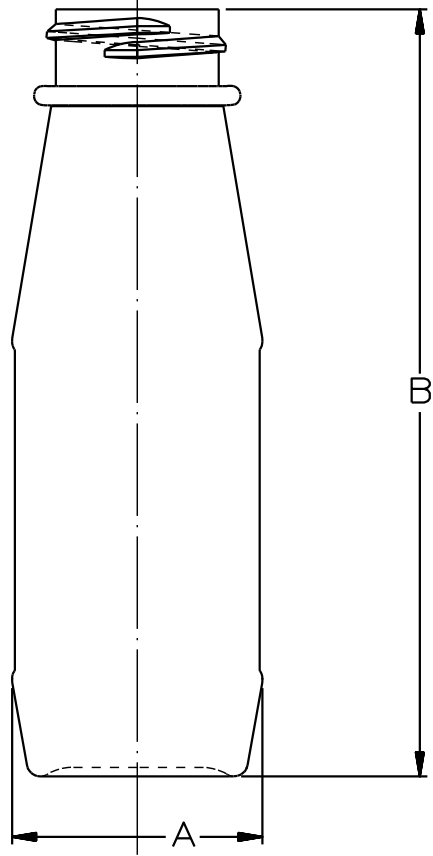
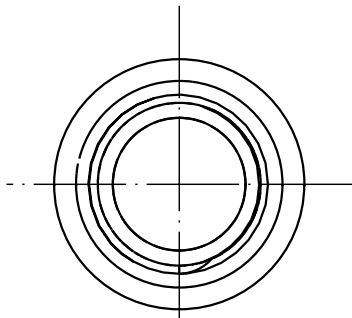


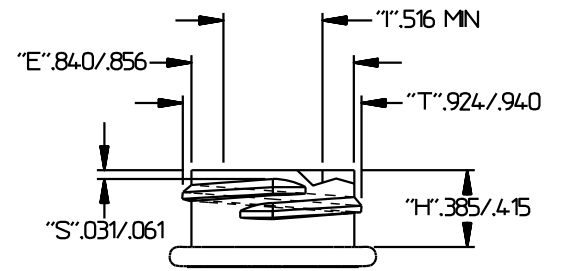


570 Fifth Street  
 Prescott, AZ 86301  
 928-445-2592

PRESCOTTSALES@INTRAPACINTERNATIONAL.COM  
 WWW.INTRAPACINTERNATIONAL.COM



### NECK DETAIL



2oz Drink Bullet  
 24-400  
 Drawing# 00-792-A

O.F.C.	cc
WEIGHT	9g**
FINISH	24-400
DIAMETER(A)	1.303±.047
HEIGHT(B)	3.995±.047
MAX LABEL(HEIGHT)	1.450
MAX LABEL(WIDTH)	OR SHRINK
PLUG FIT	USER SPECIFIED

\*\*SPECIAL WEIGHTS AVAILABLE UPON REQUEST\*\*

\*MANUFACTURED BY EXTRUSION BLOW MOLD\*

\*DRAWING NOT TO SCALE\*