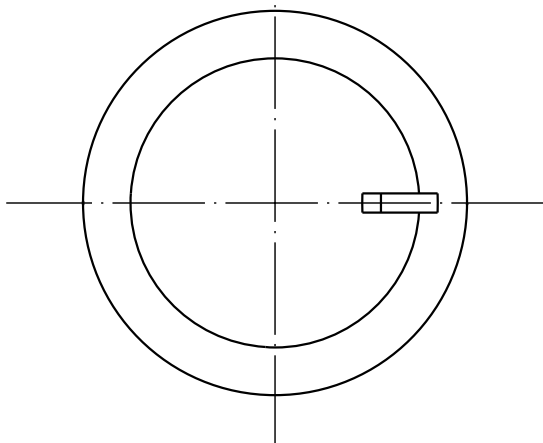
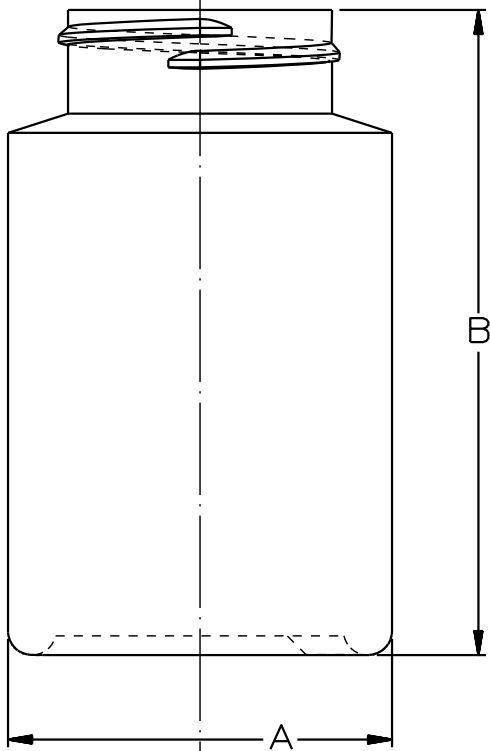
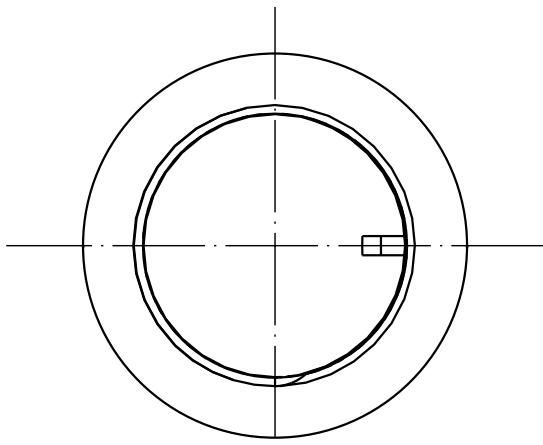


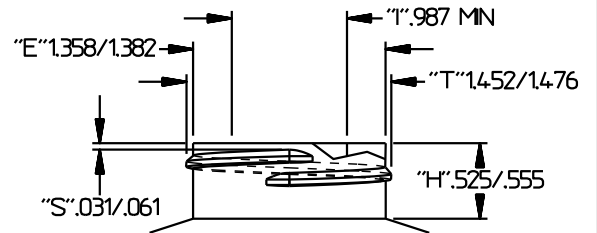


570 Fifth Street  
 Prescott, AZ 86301  
 928-445-2592

PRESCOTTSALES@INTRAPACINTERNATIONAL.COM  
 WWW.INTRAPACINTERNATIONAL.COM



### NECK DETAIL



4oz Jar  
 38-400 SPL H  
 Drawing# 89-584-C

O.F.C.	140.2±5cc
WEIGHT	12.75g**
FINISH	38-400
DIAMETER(A)	2.000±.062
HEIGHT(B)	3.360±.047
MAX LABEL(HEIGHT)	2.450
MAX LABEL(WIDTH)	N/A
PLUG FIT	USER SPECIFIED

\*\*SPECIAL WEIGHTS AVAILABLE UPON REQUEST\*\*

\*MANUFACTURED BY EXTRUSION BLOW MOLD\*  
 \*DRAWING NOT TO SCALE\*